

CARBINE

C73 SERIES

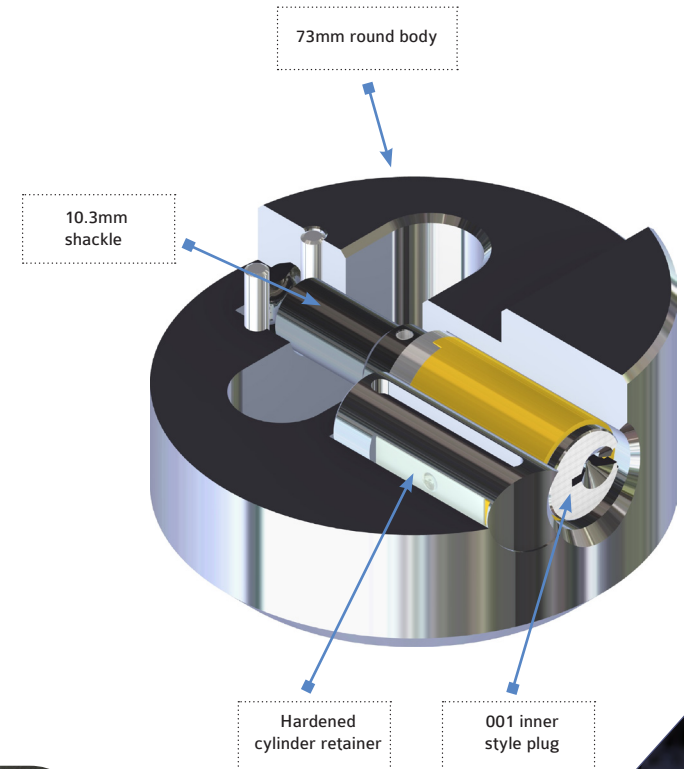
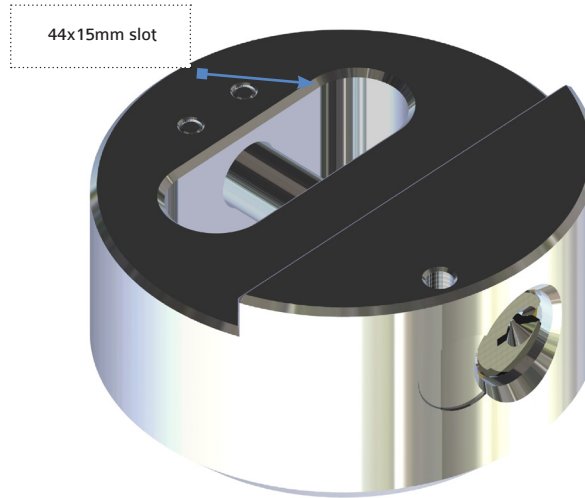


HIGH COMMERCIAL GRADE SECURITY

C73 SPECS

- + Hardened steel body
- + 10.3mm molybdenum shackle
- + Shackle hardened to 60HRC
- + Shackles duplex nickel and chrome plated
- + Anti drill cylinder
- + 001 inner 5 pin C4 cylinder (accepts 6 pin keys)

Security 
Endurance 
Weather Resistance 



Steel



C73
STEEL PUCK PADLOCKS

Carbine has introduced the C73 Series for space sensitive environments, which are suitable for high commercial grade security. It's puck like design features a hardened steel body surrounding a 10.3mm shackle, which deters attacks from bolt cutters in the most secure way possible.

Product Code	Keying	Packaging	A	B	C	D	E
C73-FE	KD	Indiv box	73	22.9	38.5	44	10.3
C73-FE-NB	-	Indiv box	73	22.9	38.5	44	10.3
C73-FE-DP	KD	DP	73	22.9	38.5	44	10.3

Note: Assembly codes

- NB denotes no barrel
- NC denotes no cylinder
- NS-NB denotes no shackle & no barrel
- NS-NC denotes no shackle & no cylinder

