

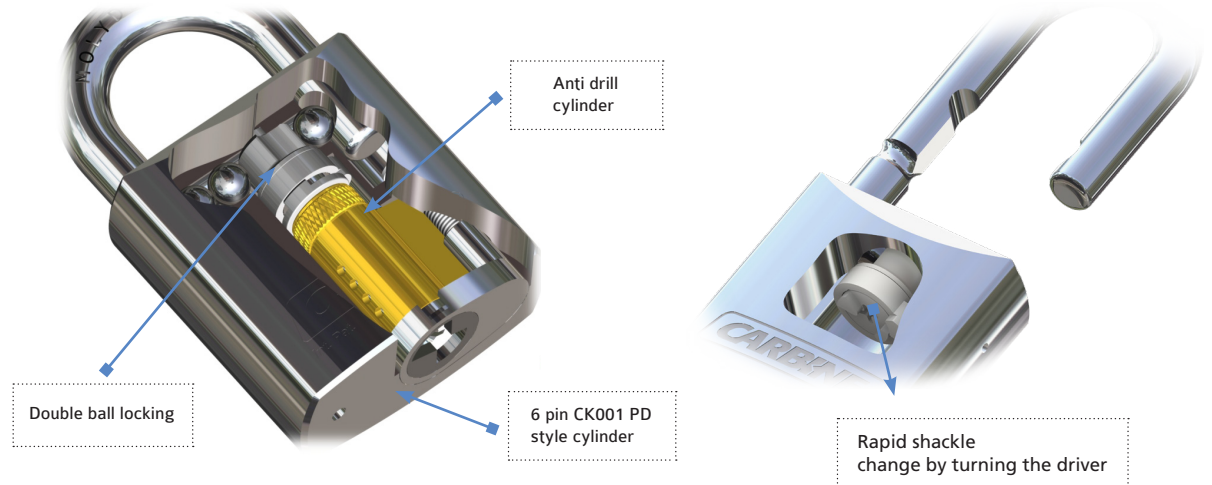
CARBINE
C60
SERIES

HIGH COMMERCIAL GRADE SECURITY



C60 SPECS

- + Extended shackle models
- + 8.5 mm double ball locking
- + Heavy duty padlock bodies
- + Standard function of key retained
- + Can be converted to snap shut
- + 6 pin PD cylinder LKW5 (C4)
- + 11.1 mm rapid change shackle



Stainless steel

Steel

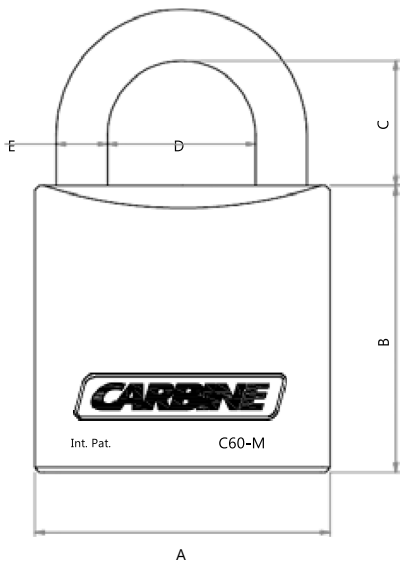
Steel shackle protected



Security + + + + ●
Endurance + + + + +
Weather Resistance + + + + +

Security + + + + +
Endurance + + + + +
Weather Resistance + + + + ●

Security + + + + +
Endurance + + + + +
Weather Resistance + + + + ●

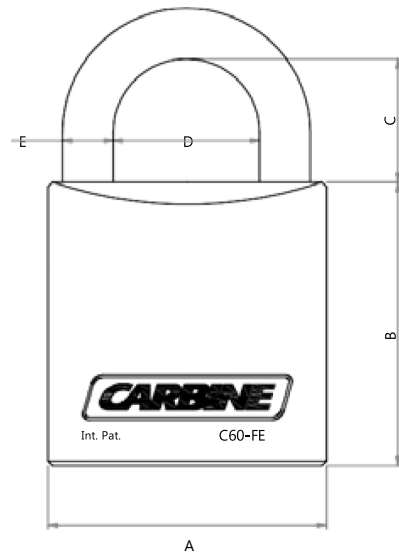


**C60
STAINLESS STEEL PADLOCKS**

Stainless steel body with brushed nickel chrome finish

- + 11mm stainless steel shackle
- + Anti drill cylinder

Product Code	Keying	Packaging	A	B	C	D	E
C60-M	KD	Indiv box	61	62	27	32	11.1
C60-M-DP	KD	DP	61	62	27	32	11.1
C60-M-NS-NC	-	Indiv box	61	62	27	32	11.1



**C60
STEEL PADLOCKS**

Hardened steel body with brushed chrome finish

- + 11.1mm molybdenum alloy shackle
- + Shackle hardened to 60HRC
- + Shackles duplex nickel & chrome plated
- + Anti drill cylinder

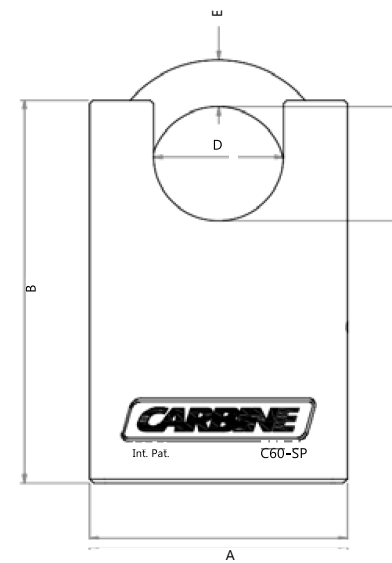
Product Code	Keying	Packaging	A	B	C	D	E
C60-FE	KD	Indiv box	61	62	27	32	11.1
C60-FE-DP	KD	DP	61	62	27	32	11.1
C60-FE-KA1	KA1	Indiv box	61	62	27	32	11.1
C60-FE-NC	-	Indiv box	61	62	27	32	11.1
C60-FE-NS-NC	-	Indiv box	61	62	-	32	11.1

Additional Components available:

Shackle chain collar – OD 18mm, ID 11.2MM

Spare shackles

Product Code	Keying	Packaging	A	B	C	D	E
C60-SA1	-	Poly bag	-	-	27	32	11.1
C60-SA2	-	Poly bag	-	-	50	32	11.1
C60-SS1	-	Poly bag	-	-	27	32	11.1
C60-SS2	-	Poly bag	-	-	50	32	11.1



**C60
STEEL SHACKLE PROTECTED PADLOCKS**

Hardened steel body with brushed chrome finish

- + 11.1mm molybdenum alloy shackle
- + Shackle hardened to 60HRC
- + Shackles duplex nickel & chrome plated
- + Anti drill cylinder

Product Code	Keying	Packaging	A	B	C	D	E
C60-SP	KD	Indiv box	61	89.5	27	32	11.1
C60-SP-DP	KD	DP	61	89.5	27	32	11.1
C60-SP-NC	-	Indiv box	61	89.5	27	32	11.1



**C60
WEATHER SHIELD
PROTECTION
C60-FE-WC**

Note: Assembly codes

- NB denotes no barrel
- NC denotes no cylinder
- NS-NB denotes no shackle & no barrel
- NS-NC denotes no shackle & no cylinder

