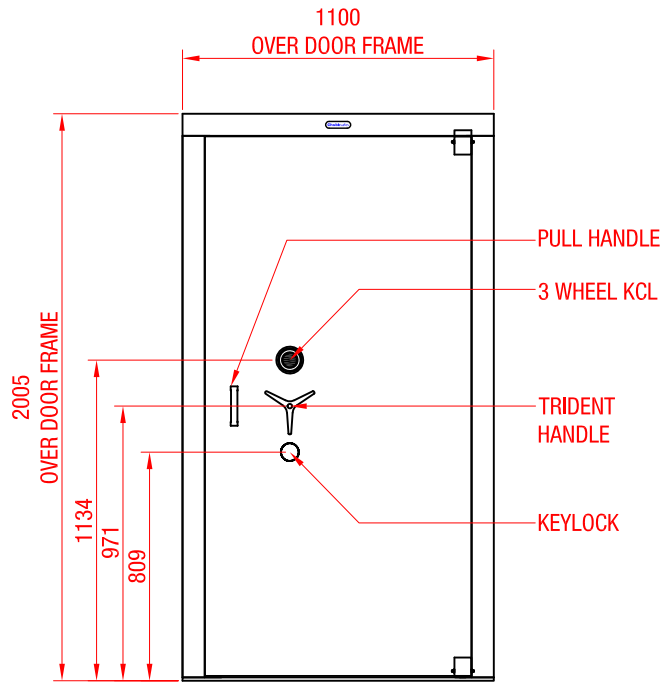
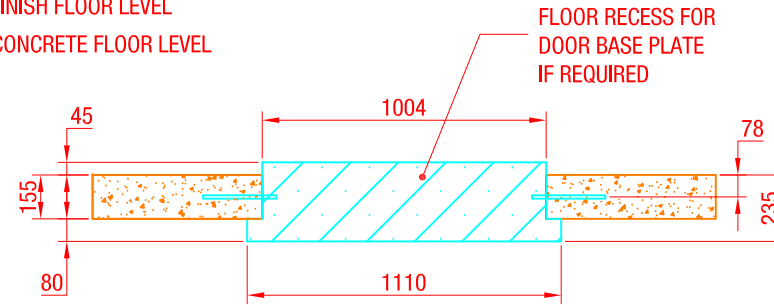
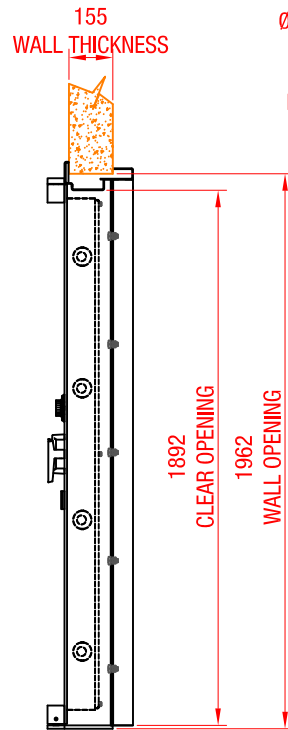


F.F.L = FINISH FLOOR LEVEL
C.F.L = CONCRETE FLOOR LEVEL

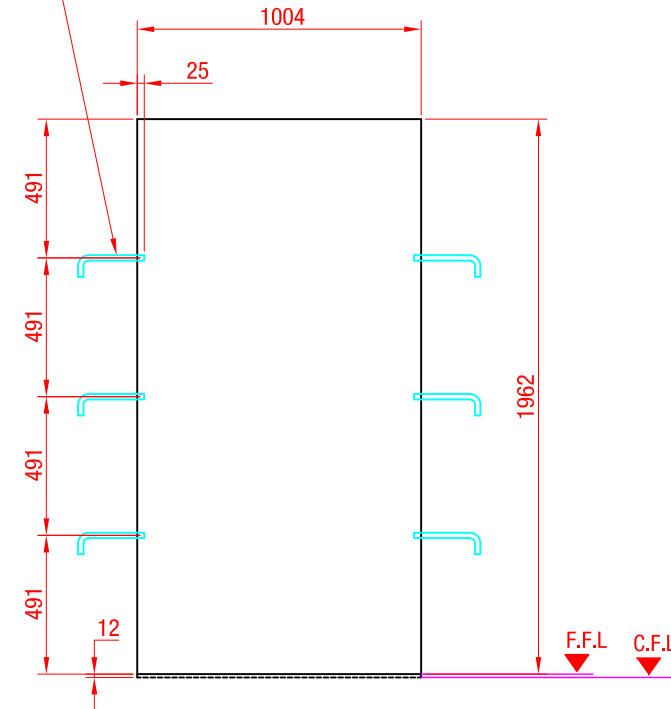


FRONT VIEW



SIDE VIEW

Ø12mm BOLT ANCHORING WITH 25mm PROTRUSION



WALL OPENING

GENERAL NOTES:

1. THIS IS A COPYRIGHT DRAWING AND DESIGN, AND SHALL NOT BE USED, REPRODUCED, OR REVISED WITHOUT WRITTEN PERMISSION.
2. THE CONTRACTOR SHALL CHECK AND VERIFY ALL DIMENSIONS AND REPORT ALL ERRORS AND OMISSIONS TO THE DESIGNER PRIOR TO COMMENCING THE WORK.
3. THESE DRAWINGS ARE NOT TO BE SCALED IF ANY DOUBT PLEASE ASK.

| NO | REVISION / ISSUE | DATE |
|----|------------------|------|
| - | - | - |
| | | |
| | | |
| | | |

Chubbsafes
Trusted the world over.

Subject of Drawing:

GUNNEBO AUSTRALIA

Product Model:

CLASS B BOOKROOM DOOR
(NEW MODEL)

Title:

ASSEMBLY DRAWING

Drawing No:

H-127-15-GA

Material:

GENERAL

Drawn by : Drawn Date :

27.05.2015

Checked by : Approved by :

Mod - ref Unit

MM

Scale N.T.S

Tolerance

Unless specified
Dim. Limits Are :
± 5.0