

PREMIER STRONGROOM DOOR & FRAME

TDR - TORCH AND DRILL RESISTING



USA: UL TRTL-60



EU: ABIS GRADE 4



FOR THE
**SECURITY
CONSCIOUS**



REAR VIEW OF DOOR



■ MODEL PRD4



MADE IN AUSTRALIA



PREMIER STRONGROOM

DOOR & FRAME TDR - TORCH AND DRILL RESISTING



USA: UL TRTL-60



EU: ABIS GRADE 4

ALL CMI SAFES COME WITH A FIVE YEAR WARRANTY, EXCLUDING FREIGHT AND TRAVELLING, WITH A 24 MONTH WARRANTY ON LOCKS.



The CMI Premier Strongroom Door and Frame TDR suggested insurable cash rating in an unsupported (no alarms) domestic situation is \$100,000.

DOOR: Overall door thickness of 135mm including a slab section of 55mm combining a lamination of alloy and refractory material to resist oxy acetylene and drill attack.

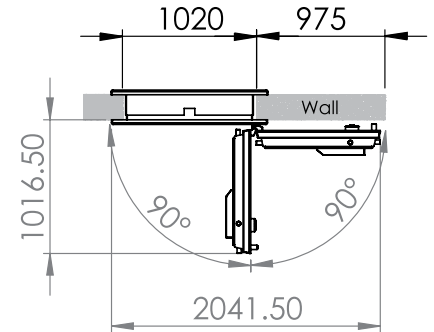
HINGING: Available in standard right hand or optional left hand hinging.

RE-LOCKER: Glass activated deadlocking re-locking devices are provided within the door as standard.

LOCKING: Available in

- Digital (Standard)
- Key
- Dial combination
- Also available with dual locking if required.

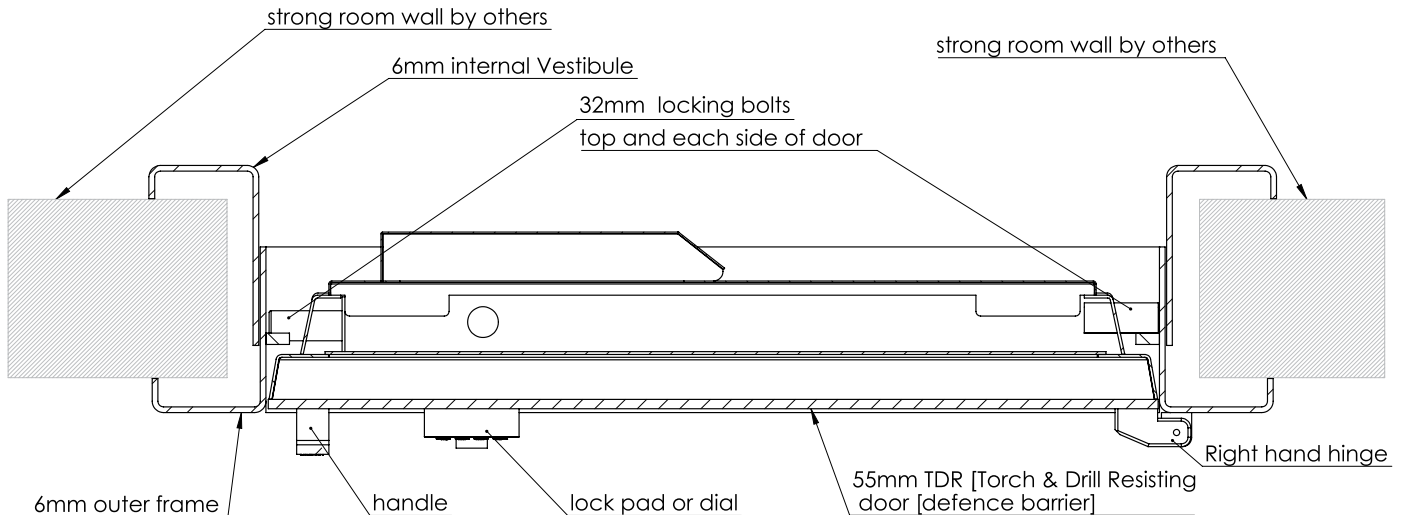
SECURITY: Any chosen electronic or duress alarm system can be added to the door if required.



RESISTANT TO • PNEUMATIC TOOLS • HYDRAULIC TOOLS • FORCE
• EXPLOSIVES • OXY-ACETYLENE • CUTTING INSTRUMENTS



PREMIER STRONGROOM DOOR & FRAME TDR DESIGNED TO BE FIRE RESISTING



MODEL	PRICE INCL. GST	CLEAR DOOR OPENING AT 180°		CLEAR MASONRY OPENING REQUIRED		WEIGHT	DELIVERY & INSTALLATION LEVEL ACCESS INCL. GST
		HEIGHT	WIDTH	HEIGHT	WIDTH		
PRD4	\$	1980 mm	880 mm	2060 mm	1020 mm	680kg	\$

WHEN ORDERING PLEASE STATE IF LEFT OR RIGHT HAND HINGING REQUIRED AND VAULT WALL THICKNESS.

CMI SAFE CO. ABN 20 118 637 245

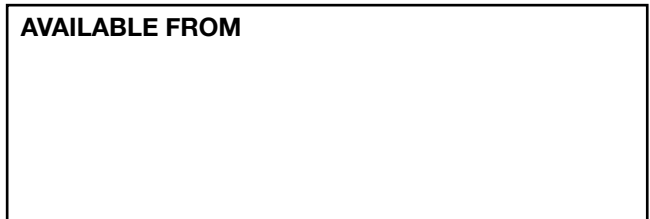
Head Office: 244 West Street, Carlton NSW 2218

Phone: (02) 9547 1488 Fax: (02) 9547 2104

Website: www.cmisafe.com.au

Email: sales@cmisafe.com.au

AVAILABLE FROM



MADE IN AUSTRALIA